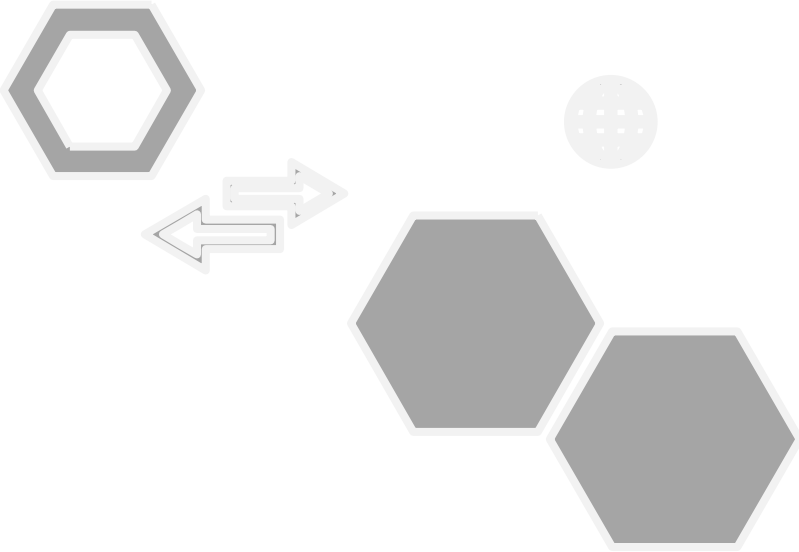


CT20 CABLE TROLLEY



Festoon Systems For I-Beams

CT20 - HEAVY DUTY

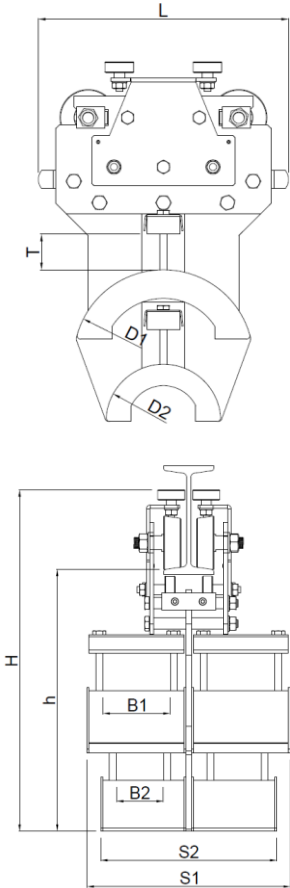


TYPE	CT20 for standard INP 160
Carrying Capacity	Max. 300 kg
Travel speed max.	160m/min
Material	Galvanized Steel
Temperature range	-30°C to +65°
Wheel Sets	Standard track INP and flat beam IPE Without or with horizontal & vertical guide roller
Wheels Quality	AISI 1050 + galvanized Without or with hardened 35-38 HRC

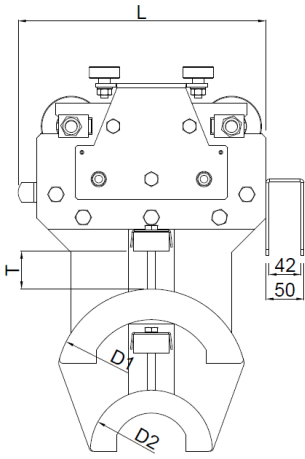
* Contact us for different kind of length request

CT20 – C (Carrier)

Type	B1 mm	B2 mm	L mm	S1 mm	S2 mm	D1 mm	D2 mm	H mm h mm	T mm	Weight kg	Order No
CT20-350 240-100	100	70	350	300	260	240	150	504	50	20	350221
CT20-350 240-116	116	83		350	310					21	350222
CT20-350 240-133	133	97		400	360					22	350223
CT20-350 200-100	100	70		300	260	200	120	385		20	350224
CT20-350 200-116	116	83		350	310					21	350225
CT20-350 200-133	133	97		400	360					22	350226
CT20-400 290-100	100	70	400	300	260	290	200	504		26	400221
CT20-400 290-116	116	83		350	310					27	400222
CT20-400 290-133	133	97		400	360					29	400223
CT20-400 250-100	100	70		300	260	250	170	385		26	400224
CT20-400 250-116	116	83		350	310					27	400225
CT20-400 250-133	133	97		400	360					29	400226
CT20-450 340-100	100	70	450	300	260	340	250	504	32	450221	
CT20-450 340-116	116	83		350	310				34	450222	
CT20-450 340-133	133	97		400	360				36	450223	
CT20-450 300-100	100	70		300	260	300	220	385	32	450224	
CT20-450 300-116	116	83		350	310				34	450225	
CT20-450 300-133	133	97		400	360				36	450226	

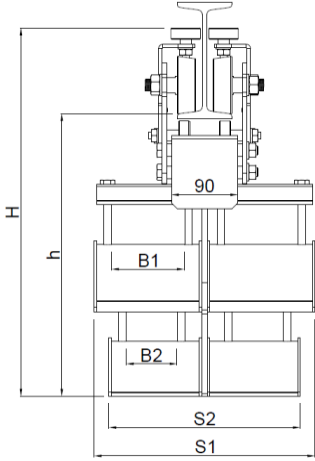


** Contact us for different kind of length request

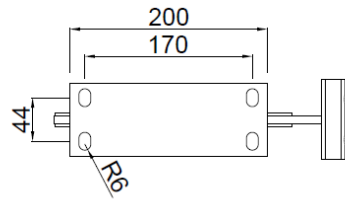
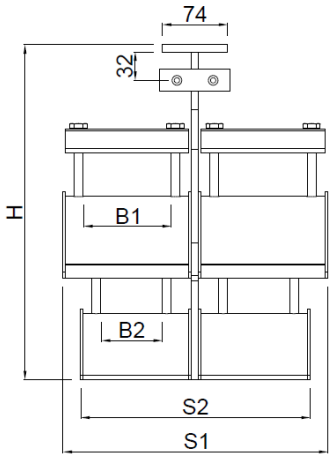
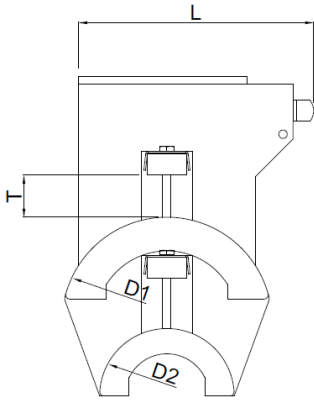


CT20 – L (Lead)

Type	B1 mm	B2 mm	L mm	S1 mm	S2 mm	D1 mm	D2 mm	H mm h mm	T mm	Weight kg	Order No
CT20-325 240-100	100	70	325	300	260	240	150	504	50	20	325221
CT20-325 240-116	116	83		350	310					21	325222
CT20-325 240-133	133	97		400	360					22	325223
CT20-325 200-100	100	70		300	260	200	120	385		20	325224
CT20-325 200-116	116	83		350	310					21	325225
CT20-325 200-133	133	97		400	360					22	325226
CT20-375 290-100	100	70	375	300	260	290	200	504		26	375221
CT20-375 290-116	116	83		350	310					27	375222
CT20-375 290-133	133	97		400	360					29	375223
CT20-375 250-100	100	70		300	260	250	170	385		26	375224
CT20-375 250-116	116	83		350	310					27	375225
CT20-375 250-133	133	97		400	360					29	375226
CT20-425 340-100	100	70	425	300	260	340	250	504	32	425221	
CT20-425 340-116	116	83		350	310				34	425222	
CT20-425 340-133	133	97		400	360				36	425223	
CT20-425 300-100	100	70		300	260	300	220	385	32	425224	
CT20-425 300-116	116	83		350	310				34	425225	
CT20-425 300-133	133	97		400	360				36	425226	

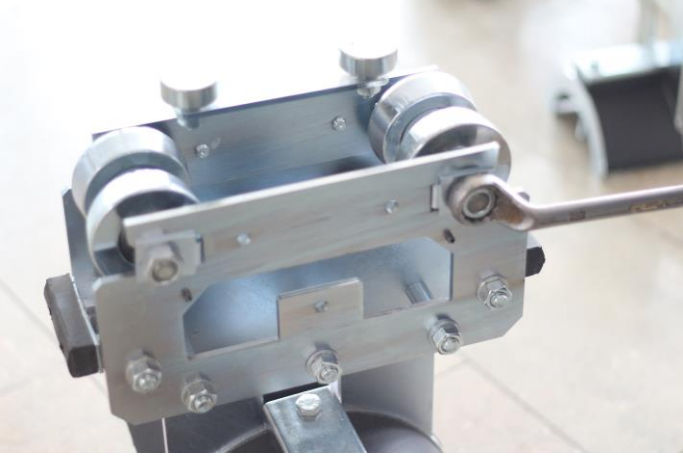


CT20 – T (Track)

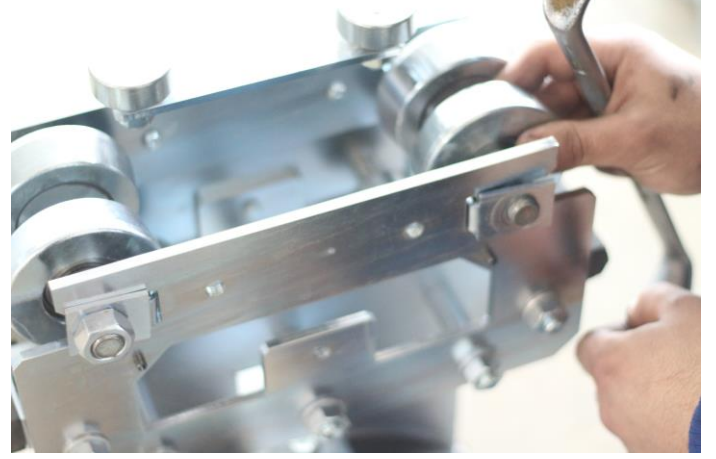


Type	B1 mm	B2 mm	L mm	S1 mm	S2 mm	D1 mm	D2 mm	H mm h mm	T mm	Weight kg	Order No
CT20-280 240-100	100	70	280	300	260	240	150	504	50	10	280221
CT20-280 240-116	116	83		350	310					10.5	280222
CT20-280 240-133	133	97		400	360					11	280223
CT20-280 200-100	100	70	280	300	260	200	120	504	50	10	280224
CT20-280 200-116	116	83		350	310					10.5	280225
CT20-280 200-133	133	97		400	360					11	280226
CT20-320 290-100	100	70	320	300	260	290	200	504	50	12	320221
CT20-320 290-116	116	83		350	310					12.5	320222
CT20-320 290-133	133	97		400	360					13	320223
CT20-320 250-100	100	70	320	300	260	250	170	504	50	12	320224
CT20-320 250-116	116	83		350	310					12.5	320225
CT20-320 250-133	133	97		400	360					13	320226
CT20-370 340-100	100	70	370	300	260	340	250	504	50	14	370221
CT20-370 340-116	116	83		350	310					14.5	370222
CT20-370 340-133	133	97		400	360					15	370223
CT20-370 300-100	100	70	370	300	260	300	220	504	50	14	370224
CT20-370 300-116	116	83		350	310					14.5	370225
CT20-370 300-133	133	97		400	360					15	370226

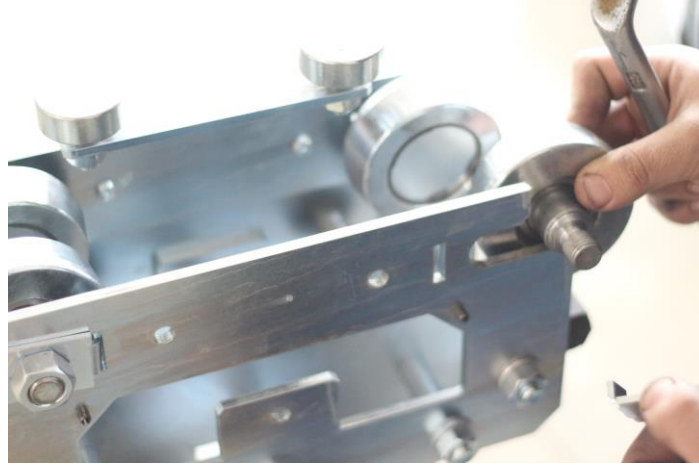
BENEFITS OF CT20



1



2



3

The design of the product makes it **EASY** to change main wheels on the festoon.

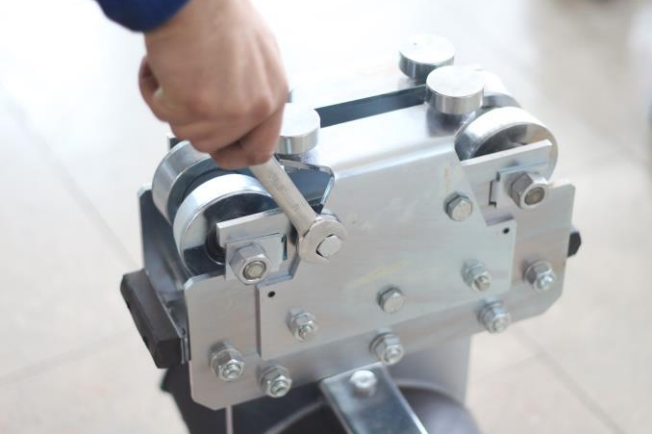
Feston üzerinde kolay ana teker deęişecek şekilde dizayn edilmiştir.

It's not necessary to disassemble all trolleys.

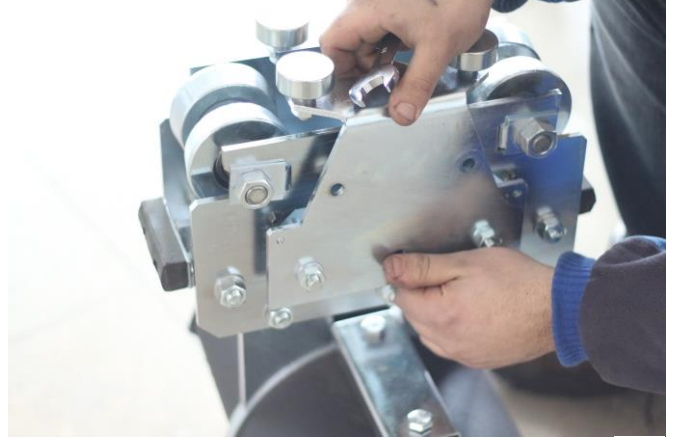
Tüm arabaları demonte etmek gerekmez.

It reduces maintenance time !

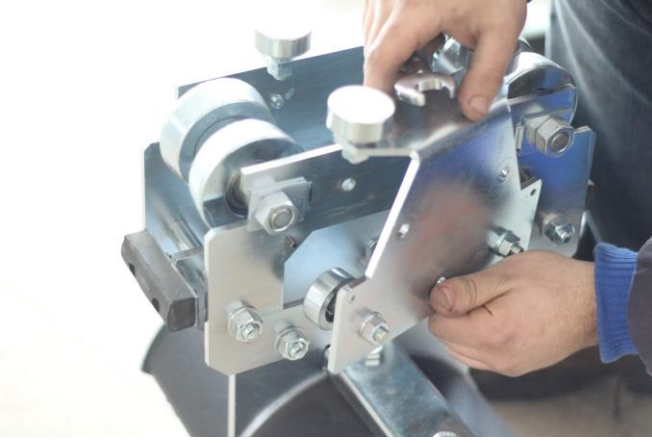
Bakım sürelerini azaltır !



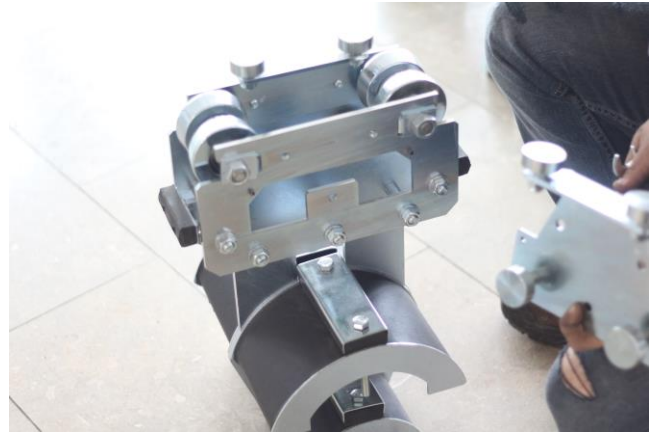
1



2



3



4

The design of the product makes it **EASY to change guide wheels on the festoon.**

Feston üzerinde kolay kılavuz teker deęiřecek řekilde dizayn edilmiřtir.

It's not necessary to disassemble the body.

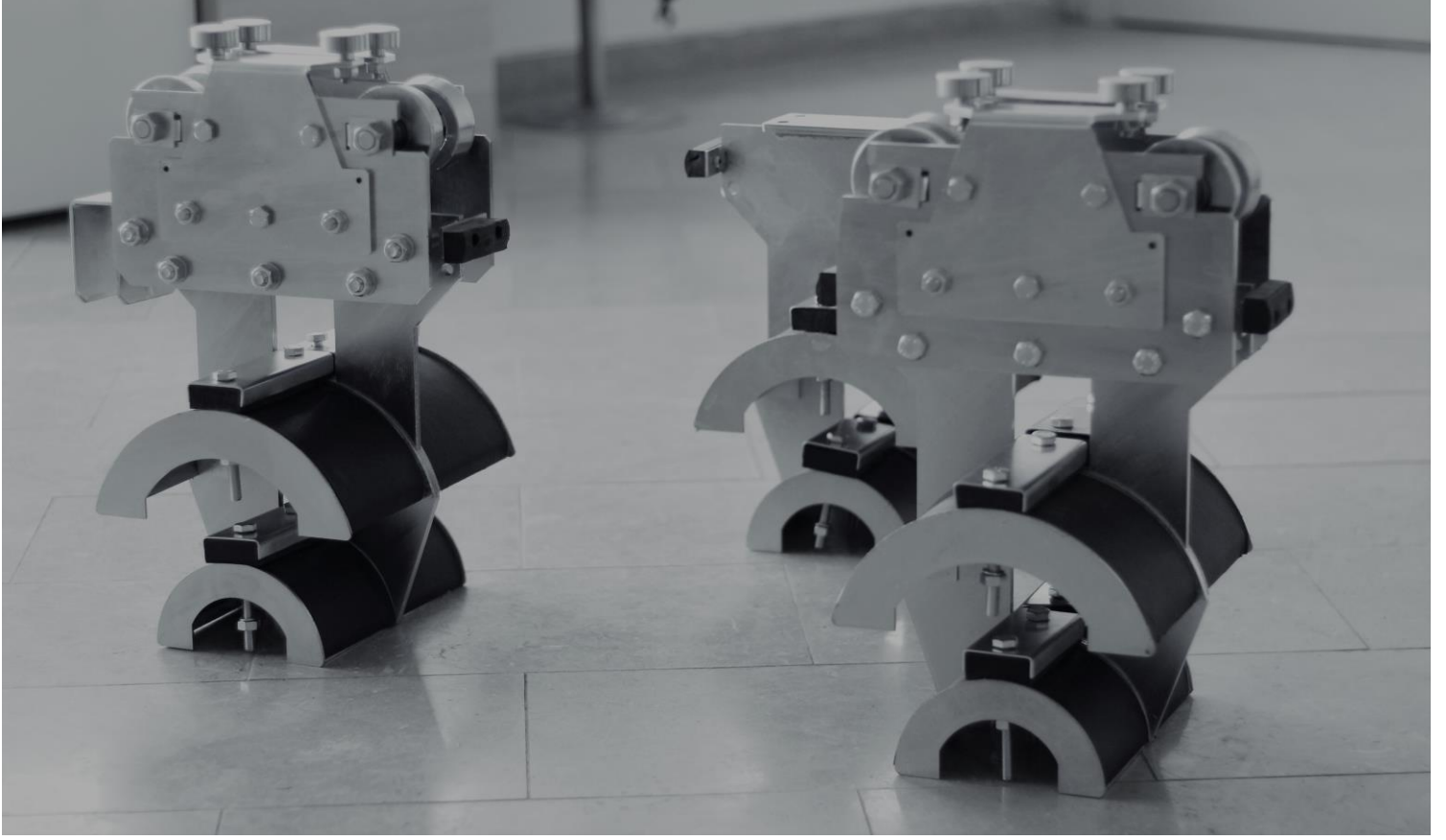
Gövdeyi demonte etmek gerekmez.

All guide wheels are located in the same body for easier and faster maintenance.

Daha kolay ve hızlı bakım için tüm kılavuz tekerler tek gövdededir.

The guide wheel body can be supplied by our company if it's needed.

İhtiyaç durumunda kılavuz teker gövdesini tarafımızdan tedarik edebilirsiniz.



IT'S ONLY WORKS ON NPI160

Sadece NPI 160' da çalışır.